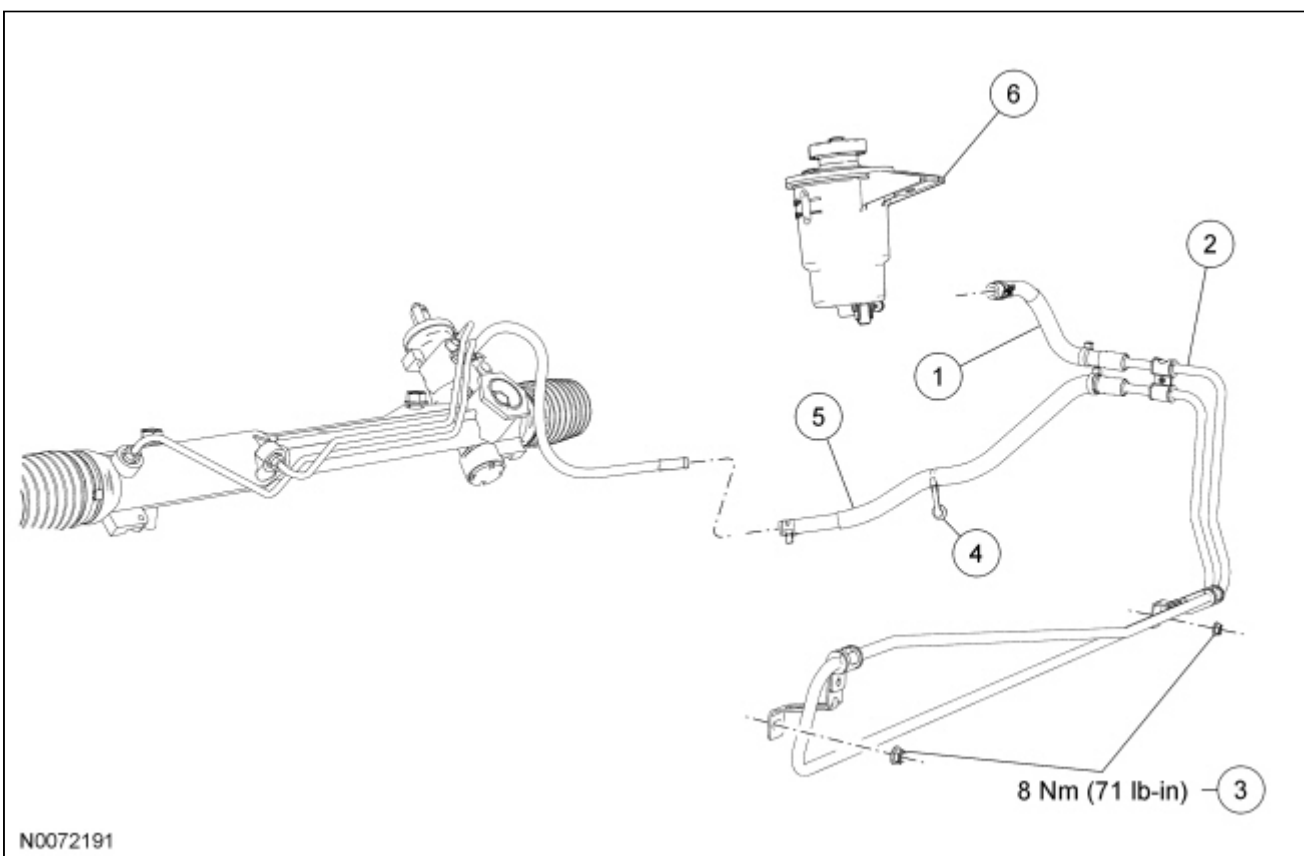


## Power Steering Fluid Cooler

### Material

Item	Specification
MERCON® V Automatic Transmission Fluid XT-5-QM (or XT-5-QMC) (US); CXT-5-LM12 (Canada)	MERCON® V

**NOTE:** 4.6L shown, 5.4L similar.



Item	Part Number	Description
1	—	Fluid cooler-to-reservoir hose (part of 3D746)
2	3D746	Power steering fluid cooler line
3	W520101	Power steering fluid cooler nuts (2 required)
4	—	Pin-type retainer (part of 3F780)
5	—	Return line-to-fluid cooler hose (part of 3D746)
6	3A697	Power steering fluid reservoir

### Removal and Installation

**NOTICE:** When repairing the power steering system, care should be taken to prevent the entry of foreign material or failure of the power steering components may result.

1. With the vehicle in NEUTRAL, position it on a hoist. For additional information, refer to [Section 100-02](#).

2. Release the clamp and disconnect the fluid cooler-to-reservoir hose.
  3. Release the clamp and disconnect the return line-to-fluid cooler hose.
  4. Disconnect the return line-to-fluid cooler hose pin-type retainer from the stabilizer bar bracket.
  5. Remove the 2 fluid cooler nuts and the fluid cooler tube.
    - To install, tighten to 8 Nm (71 lb-in).
  6. To install, reverse the removal procedure.
    - Fill the power steering system. For additional information, refer to [Section 211-00](#).
-